

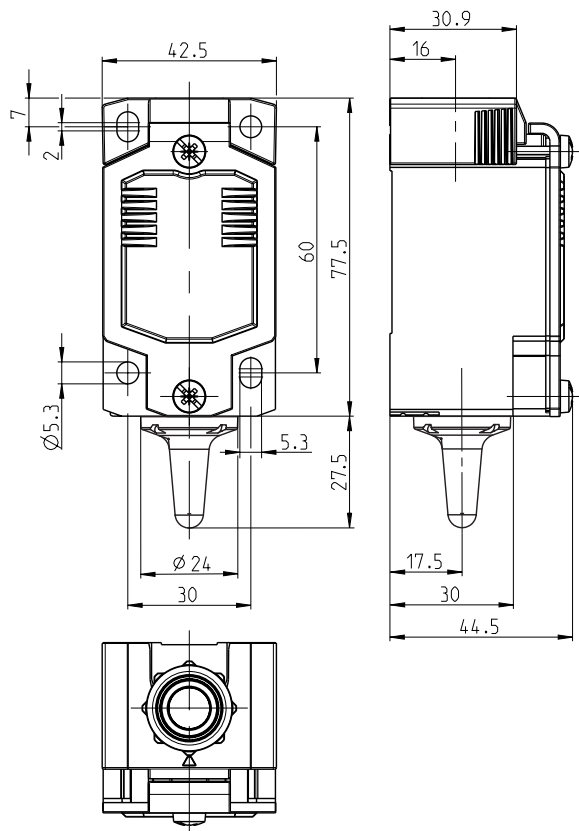
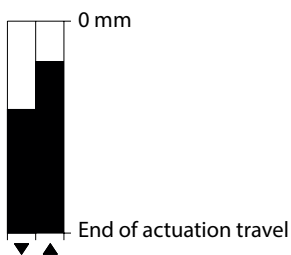
## Metal bodied limit switch Series MN78

Description **MN78-868 M20**

Article number **6087000135**

### Enclosure with wireless transmitter without actuating device

#### Switching diagram



#### Operating data

|                             |   |
|-----------------------------|---|
| Voltage supply              | Electrodynamic energy generator (energy harvesting)   |
| Transmission protocol       | EnOcean 868 MHz   |
| Typical operating distances | approximately 80 meters in open space without obstacles<br>approximately 20 meters in industrial environments with structural obstacles |

| <b>Mechanical data</b>  |  |
|-------------------------|--|
| Enclosure               | Die-cast aluminium (colour: black))                  |
| Cover                   | Sheet aluminium (colour: black))                     |
| Ambient air temperature | -15 °C ... +70 °C                                    |
| Storage temperature     | -30 °C ... +80 °C                                    |
| Mechanical life         | 1 x 10 <sup>6</sup> operating cycles                 |
| Weight                  | ≈ 0,25 kg  |
| Protection type         | IP66 / IP67 acc. EN 60529, Type 4X – Indoor Use only |
| Installation position   | operator definable                                   |

| <b>Switching frequency depending on the receiver</b> |   |
|--|---|
| 3600 cycles / hour                                   | 1 transmitter signal per relay output of the receiver                     |
| 1800 cycles / hour                                   | 2 to 28 simultaneous transmitter signals per relay output of the receiver |
| 720 cycles / hour                                    | 1 transmitter per relay output of the receiver in two-stage mode          |

| <b>Standards</b> |               |
|------------------|---------------|
|                  | IEC 60947-5-1 |
|                  | EN 60947-5-1  |

| <b>EU Conformity</b> |  |
|----------------------|--|
|                      | acc. to directive 2014/53/EU (RED-directive) |

| <b>Notes</b>   |  |
|--|--|
| The specified protection class (IP code) only applies when the cover is closed and an actuation device intended for the product and correctly installed is used. |  |
| Approvals / properties applies only to the fully assembled device.   |  |